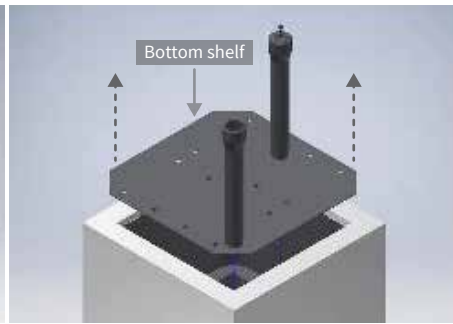
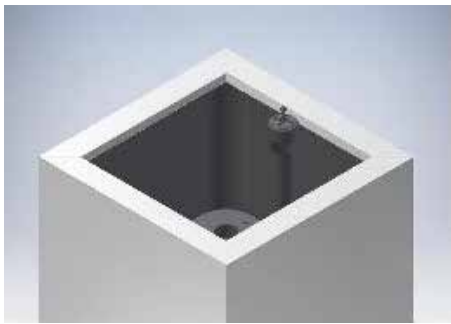




When using indoors your Crescent Garden HF planters are completely sealed. However for outdoors it is important to include an overflow drain that will allow excess water from rain to flow out of your container and protect your plants from drowning. Here are some quick tips on how to do this.



### Step 1: Remove Components

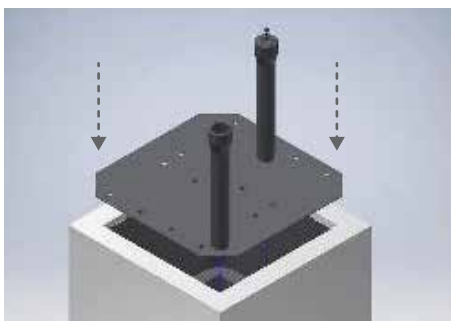
You will need to delicately fold the bottom shelf of the self-watering insert to be able to pull it out from the inside of the planter.



In the case where there are multiple cones go ahead and drill holes in all.

### Step 2: Create an Overflow

Drill at an angle a hole at the edge of the inner cone of the planter (use a 1/2 inch drill bit). You want to make sure hole is below where bottom shelf will sit when you reinstall the self-watering insert.



### Step 3: Reassemble Planter

Place back all components inside planter. You are now ready to add your volcanic rock and plant your container.